

**WONDER**  
*Since 1988*

# **WONDER洗车机专用电机**

**Wonder Electric Motors For Car Washing Machine**

## 产品介绍—MSX系列

General Introduction of Products—MSX Series

**WONDER**  
Since 1988

Wonder MSX系列电机，是Wonder专为自动洗车机研发的三相异步电机。该系列电机应用于齿轮箱，在洗车机中用于精准推动清洗滚刷。MSX系列具有结构紧凑、重量轻、外观小巧美观等特点，高效节能、防护等级高，研发成功以来，深受洗车机生产商赞誉。

Wonder MSX series motors are three phase asynchronous motors developed for automatic car washing machine. This series are applied in gearboxes and finally adopted in car washing machines to push cleaning roller brushes. MSX series has the advantages of compact structure, light weight, small and beautiful appearance, high efficiency, energy saving and high protection level. Since the success of R&D, we've gained praise from the manufacturers of car washing machine.

### 主要电气特性 Main Electric Specifications of Motors

防护等级 Protection Class: IP67

绝缘等级 Insulation Class: F

温升等级 Temperature Rise Class: B

工作制 Duty: S2

额定电压 Rated Voltage: 400V

额定频率 Rated Frequency: 50Hz

运行环境温度 Ambient Temperature: -20°C~40°C

运行海拔 Altitude: ≤1000m

冷却方式 Cooling Method: IC410



## 产品介绍—MSX系列

General Introduction of Products—MSX Series

**WONDER**  
Since 1988

**高效节能**  
**High Efficiency**

**低振动、低噪音**  
**Low Vibration & Low Noise**

**高防护等级**  
**High Protection Class**

**总成本低**  
**Cost-effectiveness**

节能是自动洗车机最重要的性能标准之一。作为专业高效电机供应商，Wonder自主研发的洗车机专用电机，在GB及IEC标准中，均实现了同等效率等级下的更高能效。

Energy saving is one of the most important performance standards of automatic car washing machine. As a professional supplier of high efficiency motors, Wonder developed the motors for car washing machinery, achieving higher efficiency level under the same efficiency class in BOTH GB and IEC standards.

Wonder电机转子采用半键动态平衡，其振动程度符合GB/IEC标准的最优等级，同时也显著降低噪音，创造了更好的工作和使用环境。

The rotor of Wonder motors are dynamically balanced with half keys, and the vibration level meets the optimal level of GB/IEC standards, while also significantly reducing noise and creating a better working and operating environment.

MSX系列电机防护等级达到IP67，具有理想的防浸、防尘能力，更适合自动洗车机的运作环境。

The protection class of MSX series reaches IP67, with ideal ability of anti-immersion and dustproof, making the motor more suitable for operation environment of automatic car washing machinery.

MSX系列电机易于维护，Wonder品牌电机的低温升、低振动等优点使该电机的使用寿命较普通电机更长，这将显著降低使用者的总成本。

The MSX series are easy to maintain, and low temperature rise and low vibration will provide a longer lifespan than conventional motors, which will significantly reduce the total cost to users.

## 产品介绍—通用电机系列

General Introduction of Products—General Purpose Motors

**WONDER**  
Since 1988

Wonder在高效通用电机领域积累了超过30年的研发与制造经验，Wonder电机广泛应用于水泵、风机、齿轮箱、压缩机等通用设备。

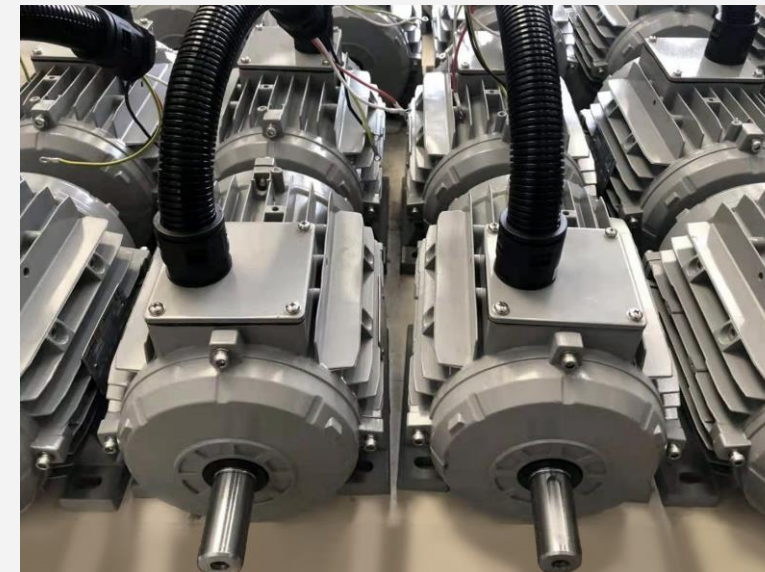
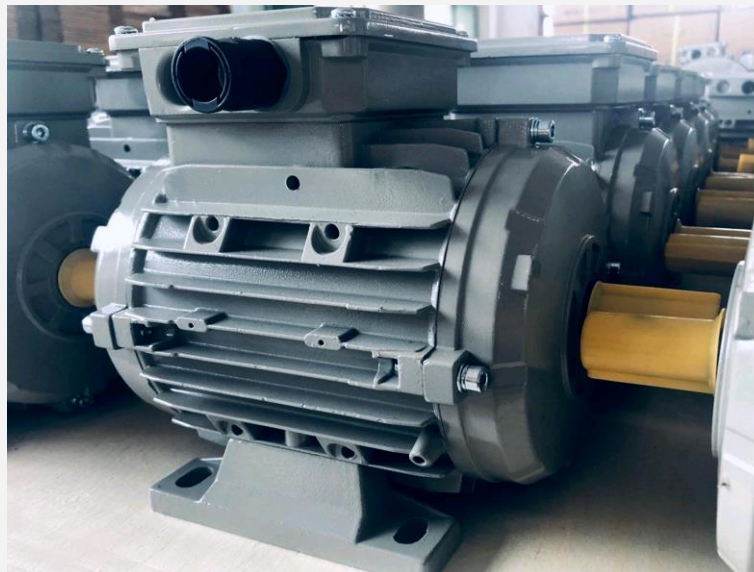
Wonder独立研发与制造的RMS系列、SWEA系列、WEA系列通用电机，具有结构紧凑、重量轻、低振动、低温升、外形美观等优点，可在较小的机座号上实现更高能效，为用户节省更多使用成本。

Wonder可根据客户的要求提供更多定制服务。适用于洗车机内部风机与通风系统的电机，可根据现实要求，设计不同的接线盒、出线口等，应用与安装更加灵活。

Wonder has more than 30 years of experience in the development and manufacturing of high efficiency general purpose motors used in pumps, fans, gearboxes, compressors and other general purpose equipment.

Wonder RMS series, SWEA series, WEA series motors, with compact structure, light weight, low vibration, low temperature rise, beautiful appearance and other advantages, can achieve higher efficiency in a smaller frame size, which realizes cost-effectiveness.

Wonder can offer more customization services. According to the actual conditions, the motors for the fans inside car washing machine can be designed with different terminal box and cable gland, which brings flexible application and installation.



### 主要电气特性

### Main Electric Specifications of Motors

机座范围 Frame Size: 56-132

防护等级 Protection Class: IP55

绝缘等级 Insulation Class: F

温升等级 Temperature Rise Class: B

工作制 Duty: S1

额定电压 Rated Voltage: 400V

额定频率 Rated Frequency: 50Hz

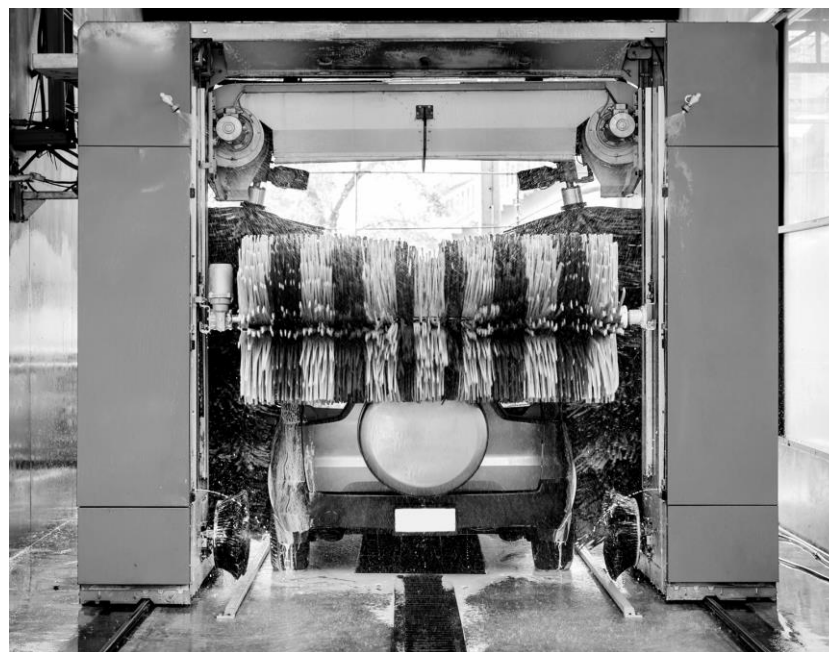
运行环境温度 Ambient Temperature: -20°C~40°C

运行海拔 Altitude: ≤1000m

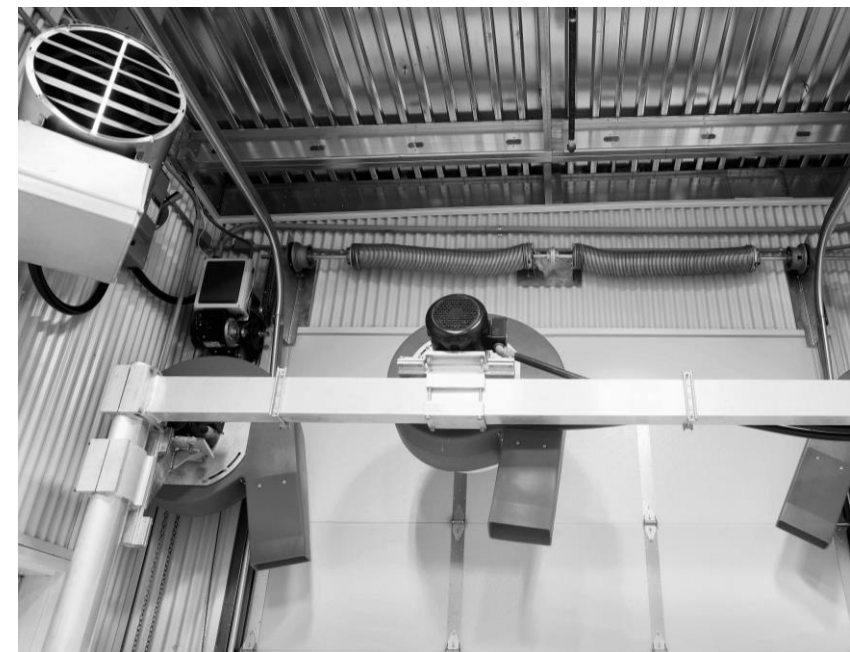
冷却方式 Cooling Method: IC410



**车辆轨道**  
Pathway



**清洁滚刷**  
Cleaning Roller Brush



**风机及通风系统**  
Fan & Ventilator

# 技术参数—MSX系列

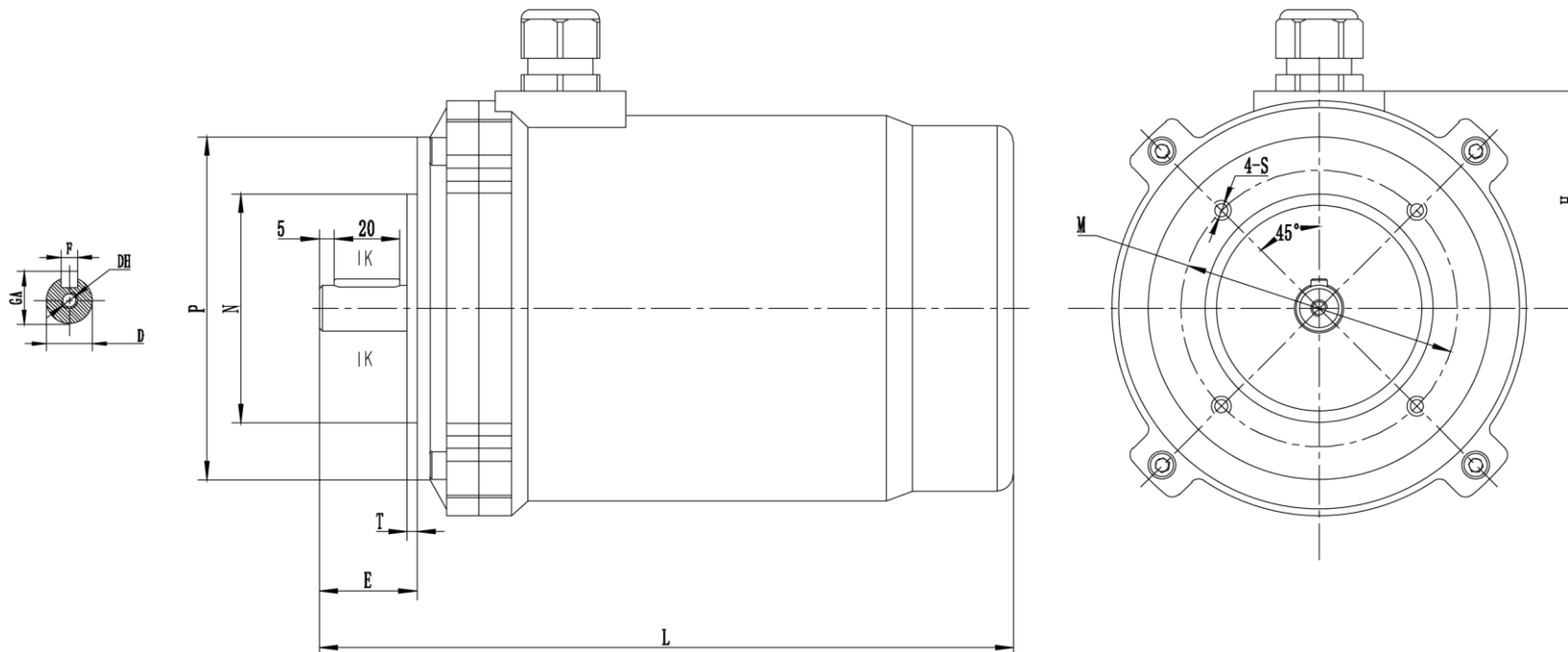
Technical Characteristics—MSX系列

**WONDER**  
Since 1988

型号 Motor Type	功率 Rated Power	电压 Voltage	额定转速 Rated Speed	电流 Full Load Current	效率 Efficiency	功率因数 Power Factor	额定转矩 Rated Torque	堵转电流 额定电流 Locked Rotor/ Current	堵转转矩 额定转矩 Locked Rotor/ Torque	最大转矩 额定转矩 Break-down Torque
	kW	V	r/min	A	%	Cosp	N.m	Is/In	Ms/Mn	Mk/Mn
MSX6312	0.18	400	2720	0.55	65	0.73	0.63	5.5	2.2	2.2
MSX6322	0.25	400	2720	0.72	66	0.76	0.88	5.5	2.2	2.2
MSX6314	0.12	400	1340	0.42	57	0.72	0.86	4.4	1.8	2.0
MSX6324	0.18	400	1340	0.61	58	0.73	1.28	4.4	1.8	2.0
MSX6316	0.09	400	860	0.46	48	0.59	1.0	4.0	1.9	2.0
MSX6326	0.12	400	860	0.57	51.5	0.59	1.33	4.0	1.9	2.0
MSX7112	0.37	400	2760	0.94	70	0.81	1.28	6.1	2.2	2.2
MSX7122	0.55	400	2820	1.33	73	0.82	1.86	6.1	2.2	2.3
MSX7114	0.25	400	1345	0.75	65	0.74	1.78	5.2	2.1	2.2
MSX7124	0.37	400	1340	1.06	67	0.75	2.64	5.2	2.1	2.2
MSX7116	0.18	400	860	0.70	56	0.66	2.0	4.0	1.9	2.0
MSX7126	0.25	400	860	0.90	59	0.68	2.78	4.0	1.9	2.0
MSX8012	0.75	400	2840	1.76	74	0.83	2.52	6.1	2.4	2.5
MSX8022	1.1	400	2840	2.49	76	0.84	3.7	7.0	2.5	2.5
MSX8014	0.55	400	1390	1.49	71	0.75	3.78	5.3	2.2	2.5
MSX8024	0.75	400	1410	1.96	72.6	0.76	5.19	5.3	2.3	2.5
MSX8016	0.37	400	885	1.23	62	0.70	3.99	4.7	2.0	2.1
MSX8026	0.55	400	885	1.70	65	0.72	5.94	4.7	2.0	2.1

# 产品安装尺寸图—MSX系列

Mounting and Overall Dimensions—MSX系列



型号 Motor Type	E	L	P	N	M	T	S	H	D	G
MSX63	23	196	90	60	75	2.5	M5	82	11	8.5
MSX71	30	215	105	70	85	3	M6	92	14	11
MSX80	40	238	120	80	100	3	M6	101	19	15.5

# 了解更多信息，欢迎联系WONDER!

## **福建万达电机有限公司 Wonder Electric (Fu' an)**

联系电话/Tel: +86-593-6379666 6379988

企业邮箱/Email: wonder@dayu-casting.com

网站/Web: www.wonder-cn.com

地址/Add: 福建省福安电机电器工业区兴达路239号/No.239 Xingda Rd, Electrical Machinery And Appliances Zone, Fu' an, Fujian ,China

## **福州万德电气有限公司 Wonder Electric (Fuzhou)**

联系电话/Tel: +86-591-83998899

企业邮箱/Email: wonder@wonderfz.com

网站/Web: www.wonderfz.com

地址/Add: 福建省福州市经济开发区长安投资区长洋路120号/No. 120, Changyang Rd, Chang An Investment District, Fuzhou Development Zone, Fujian, China